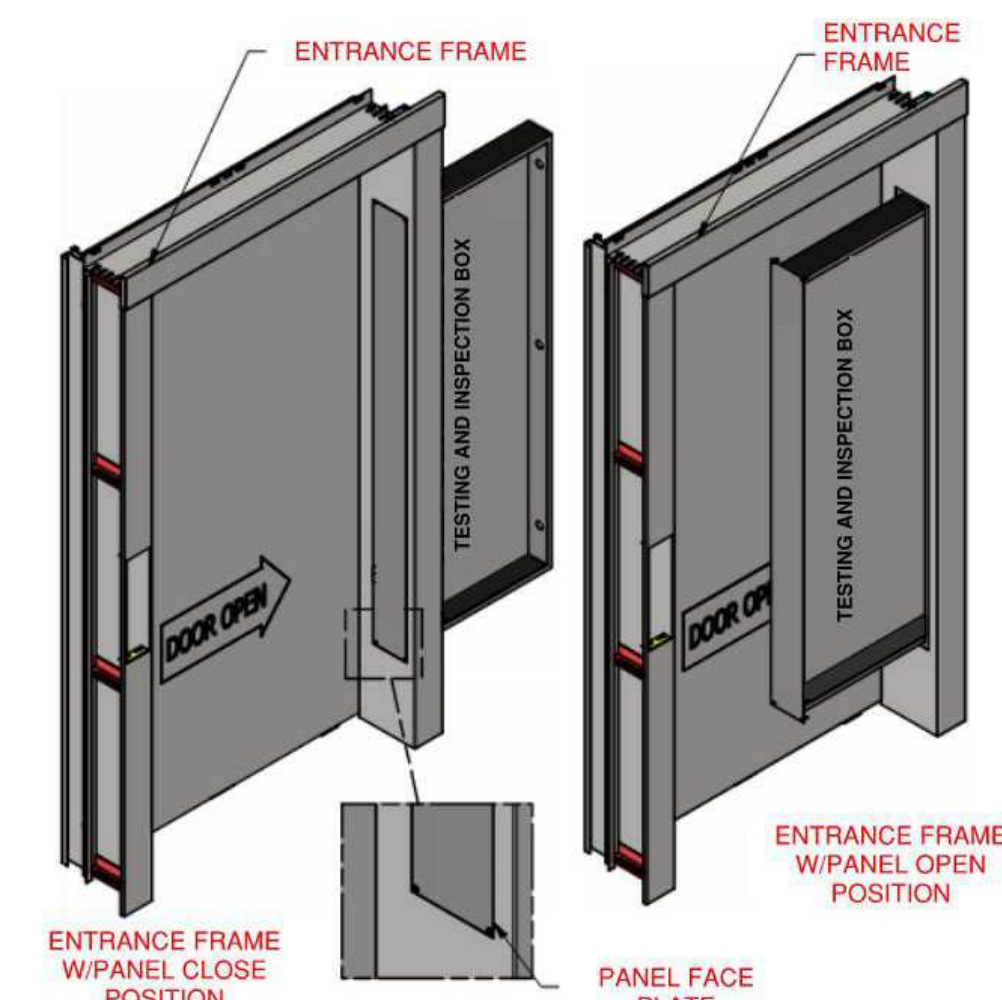
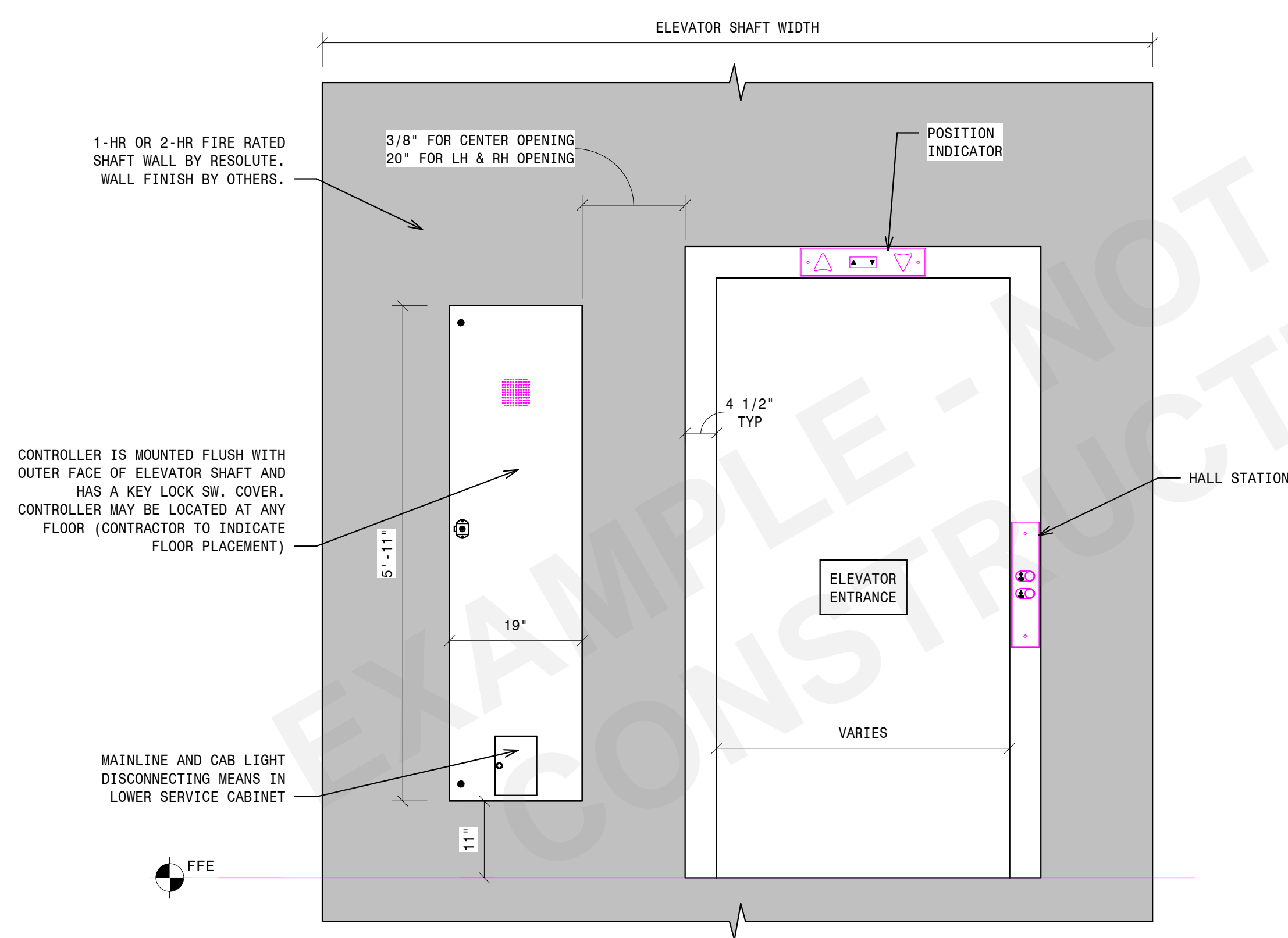


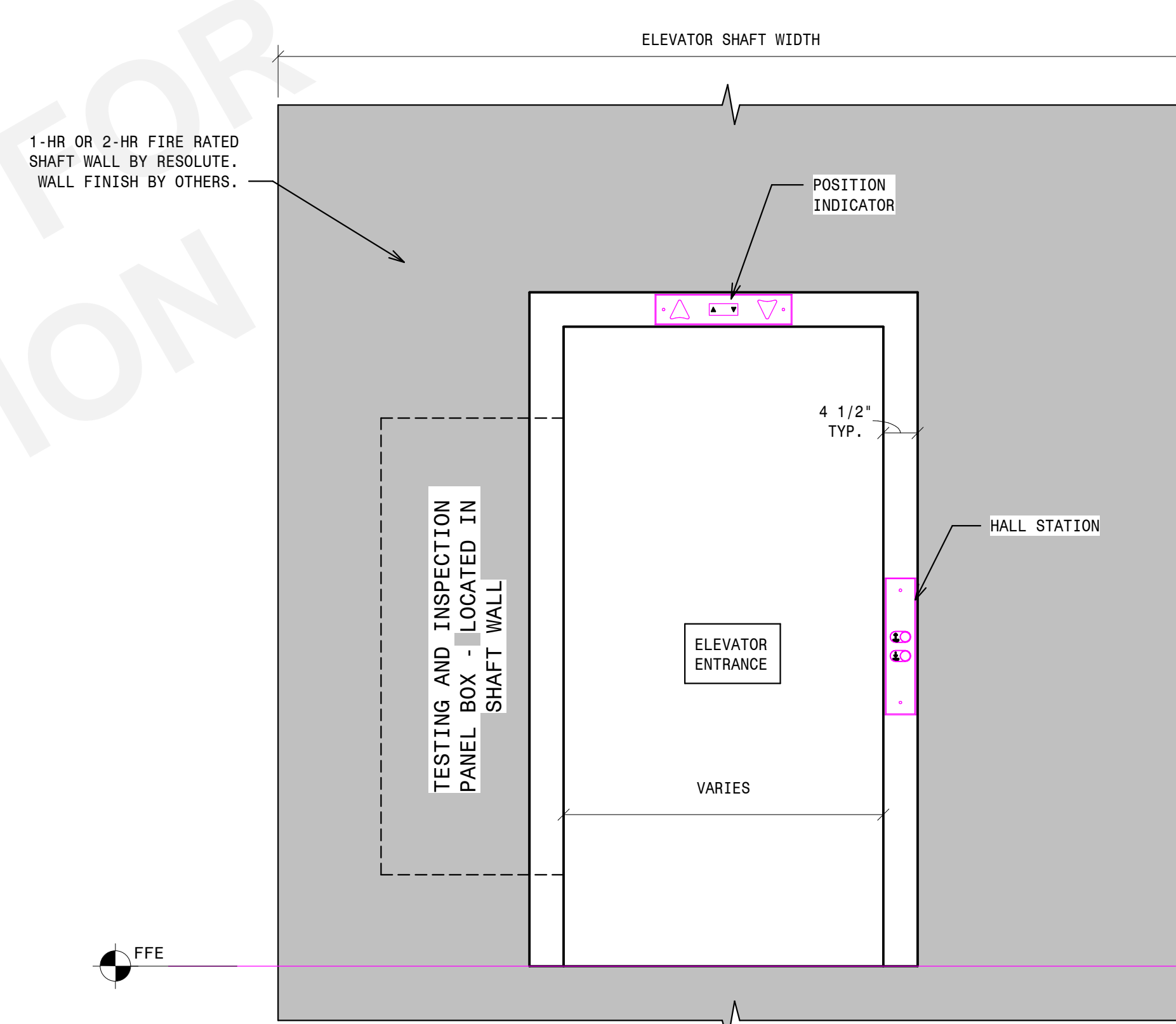
- 2 - ELEVATOR DOOR JAM DETAIL  
1 1/2" = 1'-0"



- 1 - 3D - TYPICAL TRACTION CONTROLLER LOCATION  
1 1/2" = 1'-0"



- 4 - TYPICAL HYDRAULIC CONTROLLER LOCATION  
3/4" = 1'-0"



- 3 - TYPICAL TRACTION CONTROLLER LOCATION  
3/4" = 1'-0"

REVISIONS

NOT FOR CONSTRUCTION

PROJECT NO.	SPF/NLH
DATE:	NLH
4/15/2006	
SCALE:	PROJECT ID #S
As indicated	

SEAL

RESOLUTE ELEVATOR

ELEVATOR ENTRANCE DETAILS



2309 AIRPARK DR.,  
BURLINGTON, NC 27215  
PHONE: (919)-903-0189  
FAX: (336)-232-9789  
Info@resoluteelevator.com  
www.ResoluteElevator.com  
NC Firm No. D-0476

SHEET NO.

RS.04