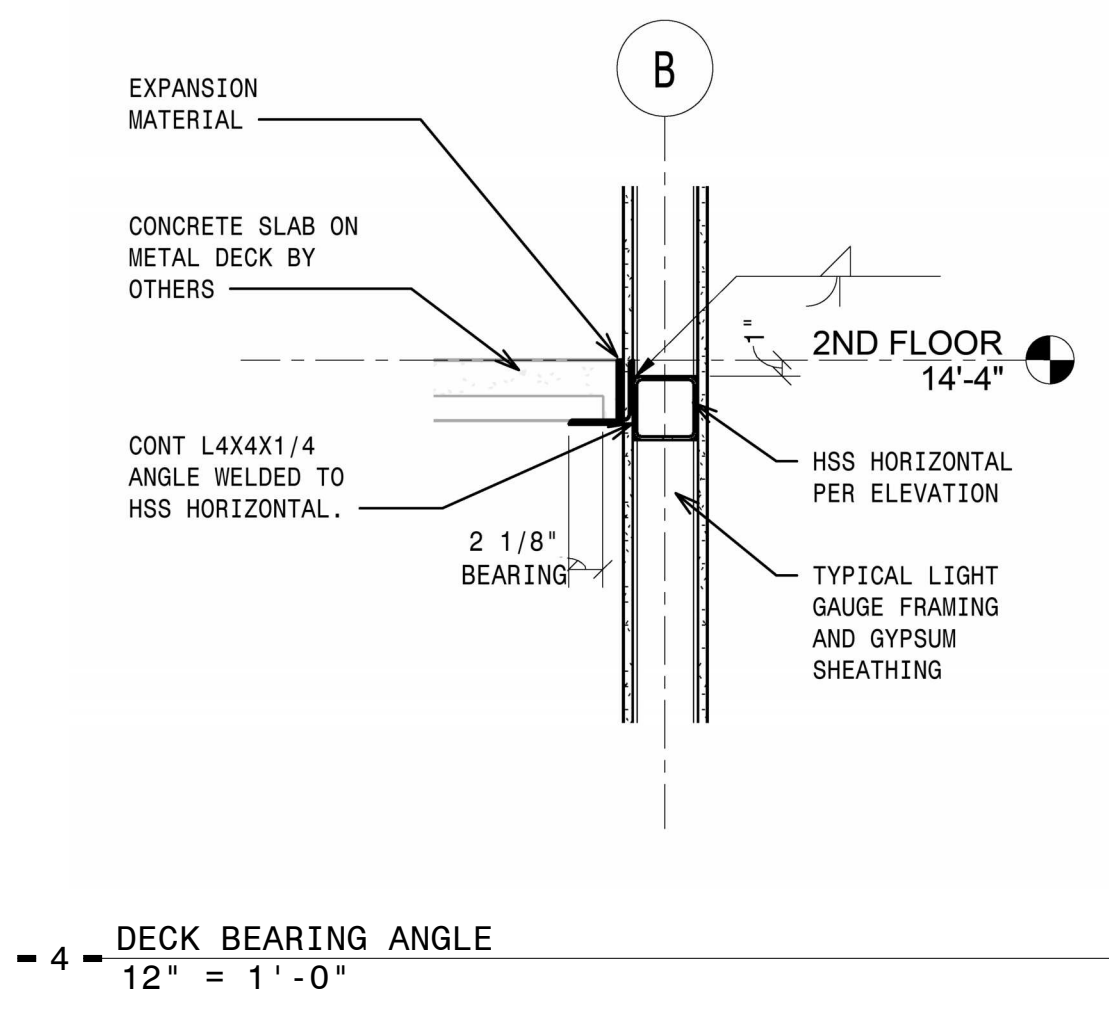
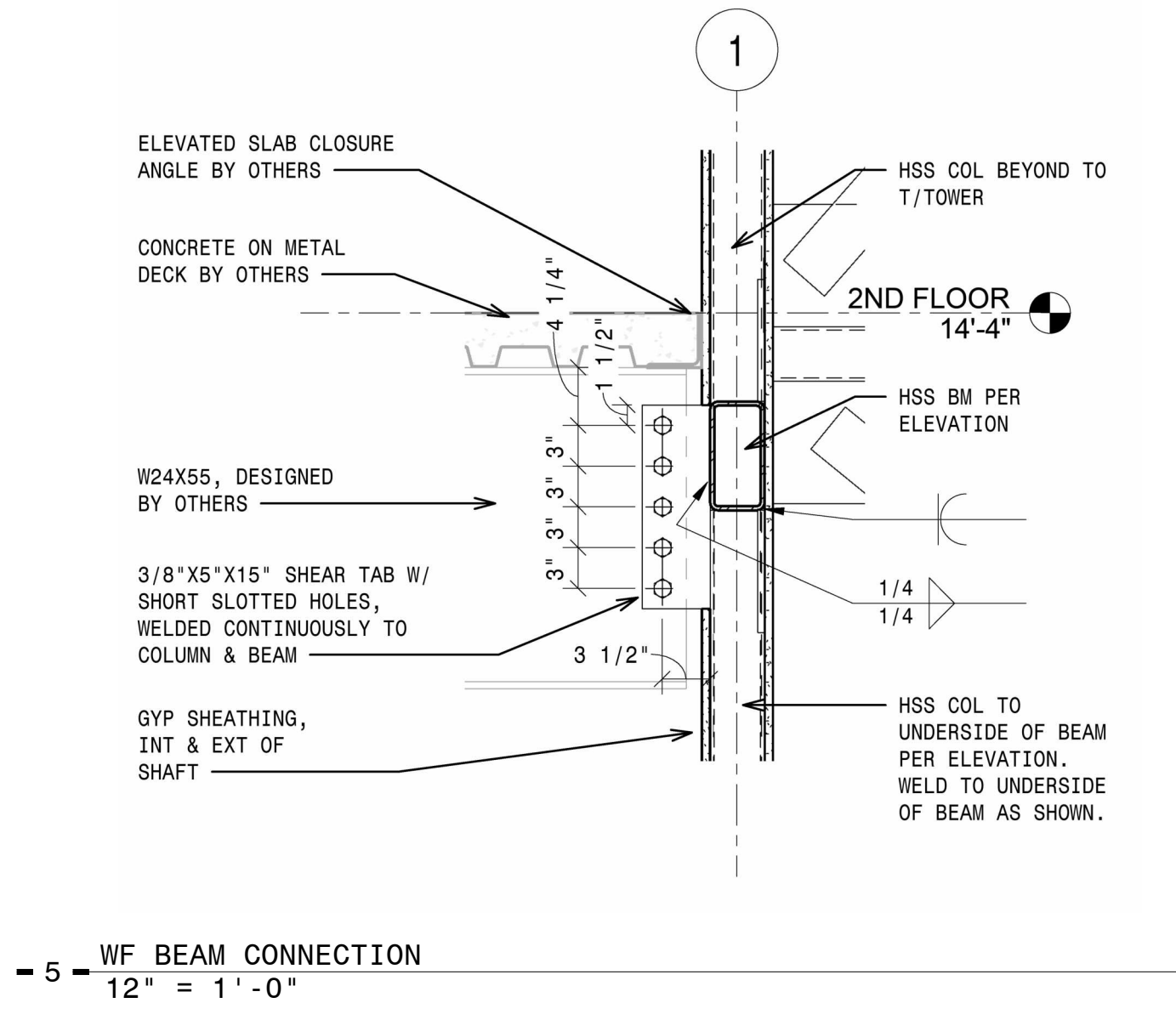
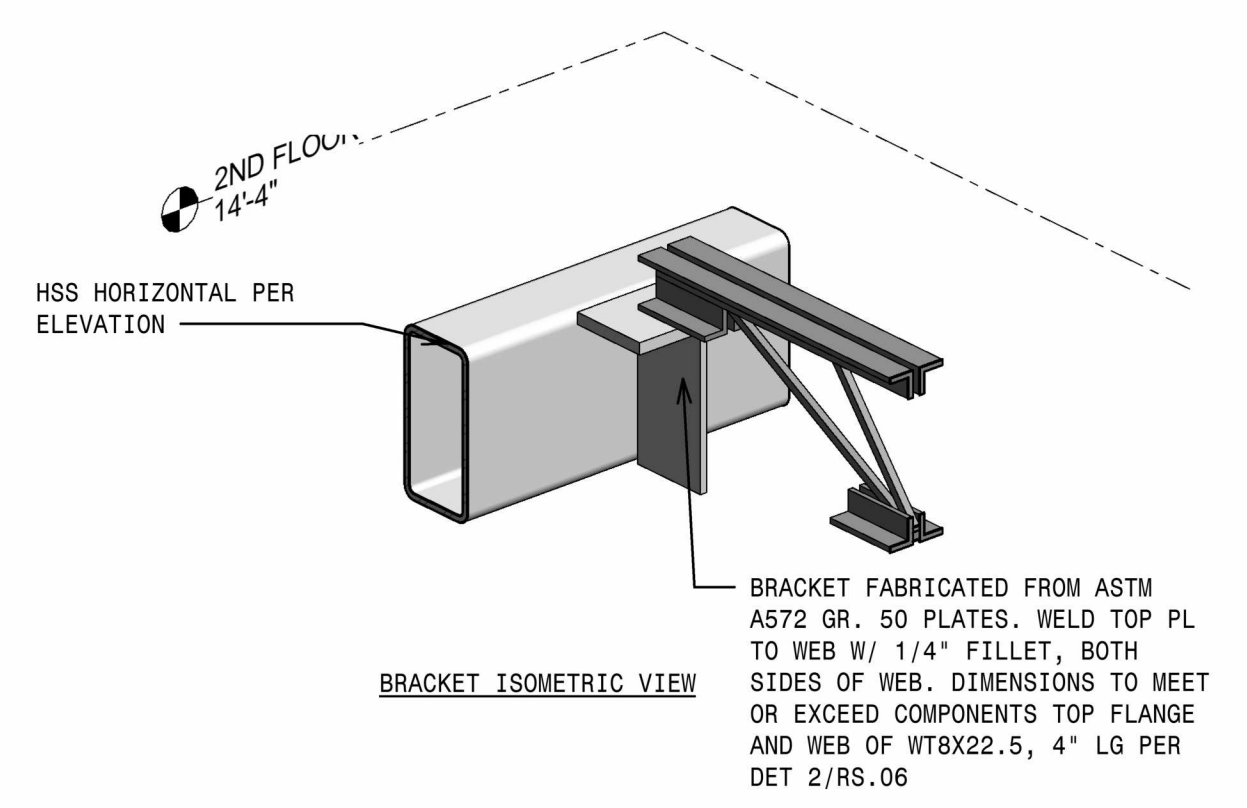
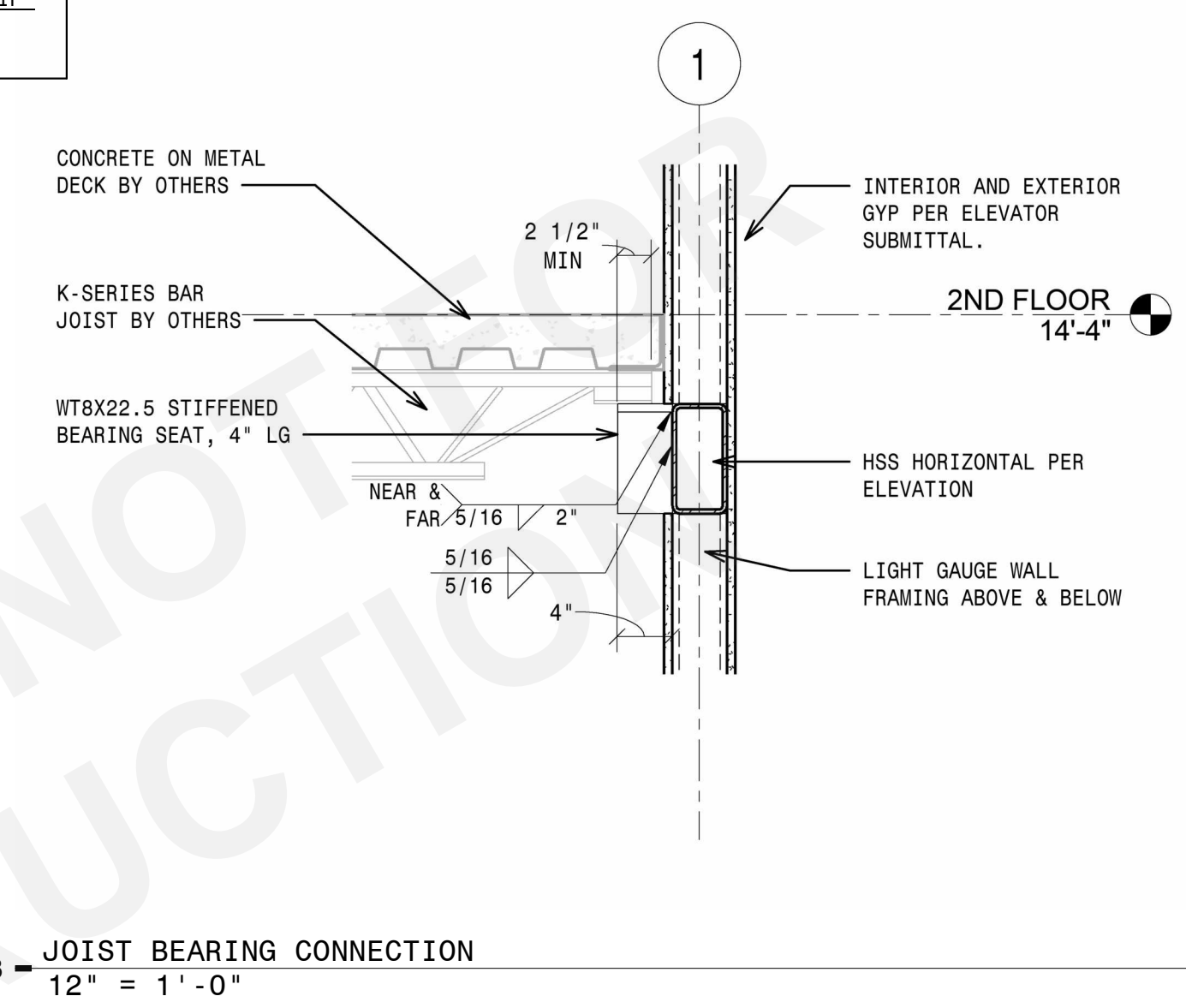
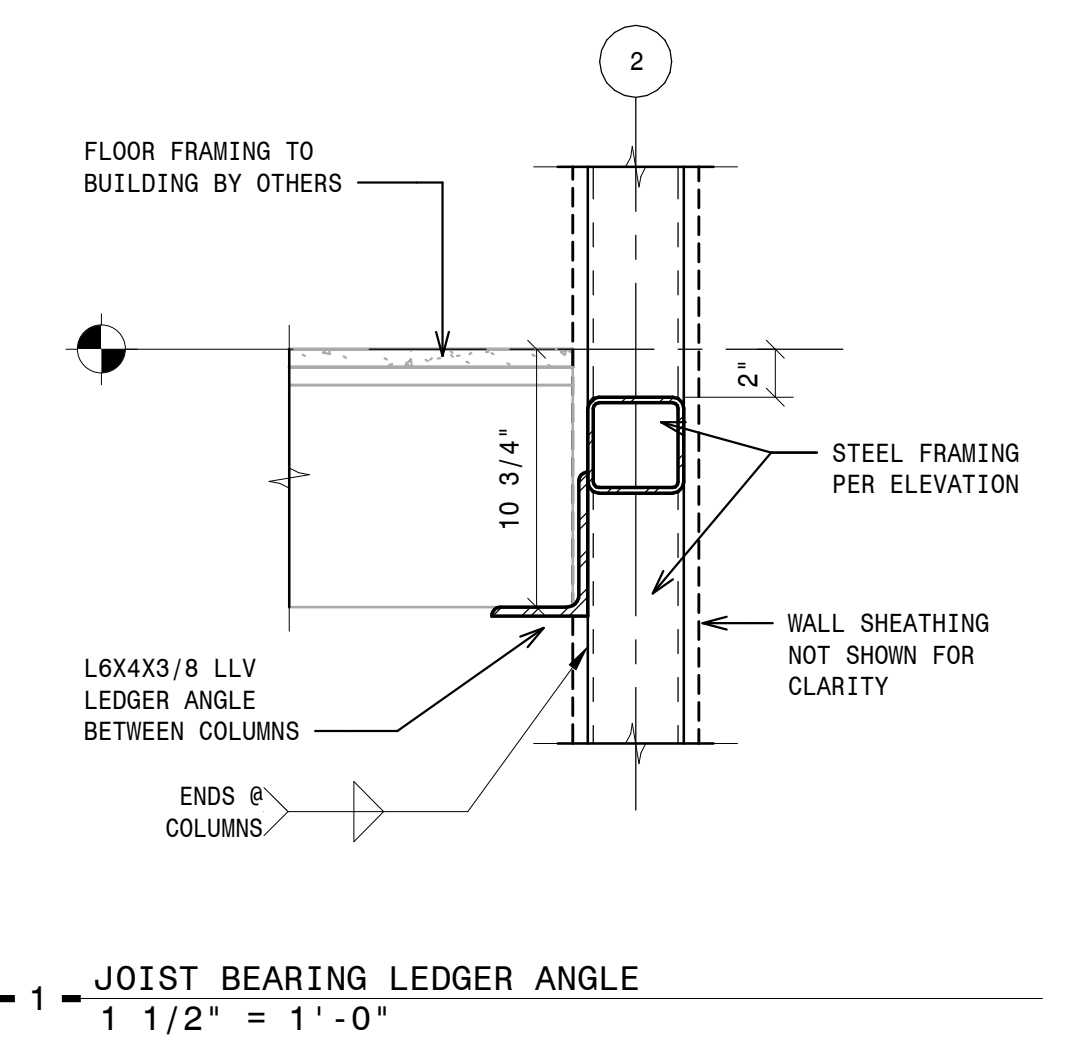
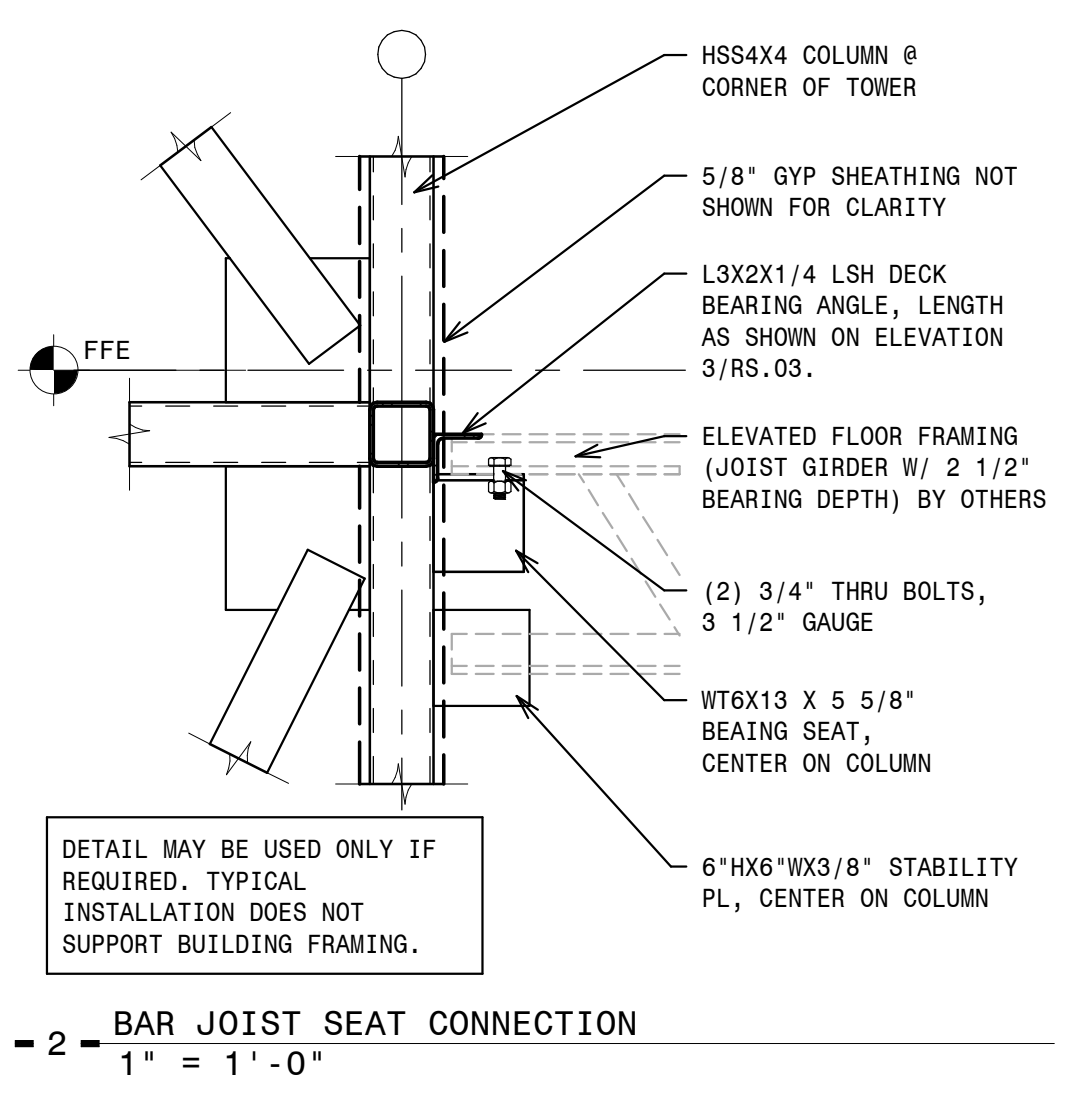


VERTICAL CONNECTION NOTES:

- CONNECTION DETAILS SHOWN ON THIS PAGE ARE EXAMPLES OF VERTICAL SUPPORT CONNECTION DESIGNS PREVIOUSLY DESIGNED BY RESOLUTE ELEVATOR.
- THESE CONNECTIONS WERE COORDINATED AND DESIGNED TO SUPPORT VERTICAL LOADING, AS PROVIDED BY THE GENERAL CONTRACTOR AND/OR PROJECT STRUCTURAL ENGINEER.
- CONNECTION DESIGNS MAY VARY FROM A SHOWN AND WILL BE COORDINATED WITH THE CLIENT DURING DESIGN.
- REQUIREMENTS FOR LATERAL CONNECTIONS ARE DETERMINED ON A PROJECT-BY-PROJECT BASIS AND ONLY IF REQUIRED BY THE BUILDING ENGINEER.
- TYPICAL ELEVATOR SHAFT DESIGN DOES NOT INCLUDE VERTICAL SUPPORT, BUT THIS CAN BE INCLUDED IF REQUIRED.



EXAMPLE - NOT FOR CONSTRUCTION

REVISIONS

NOT FOR CONSTRUCTION

DES. BY:	CHKD. BY:	PROJECT NO.
DATE:	DATE:	DATE:
SCALE:	SCALE:	SCALE:
As indicated	As indicated	As indicated

SEAL

RESOLUTE ELEVATOR

VERTICAL CONNECTION EXAMPLES



2309 AIRPARK DR.,
BURLINGTON, NC 27215
PHONE: (919)-903-0189
FAX: (336)-232-9789
Info@resoluteelevator.com
www.ResoluteElevator.com
NC Firm No. D-0476

SHEET NO.

RS.07